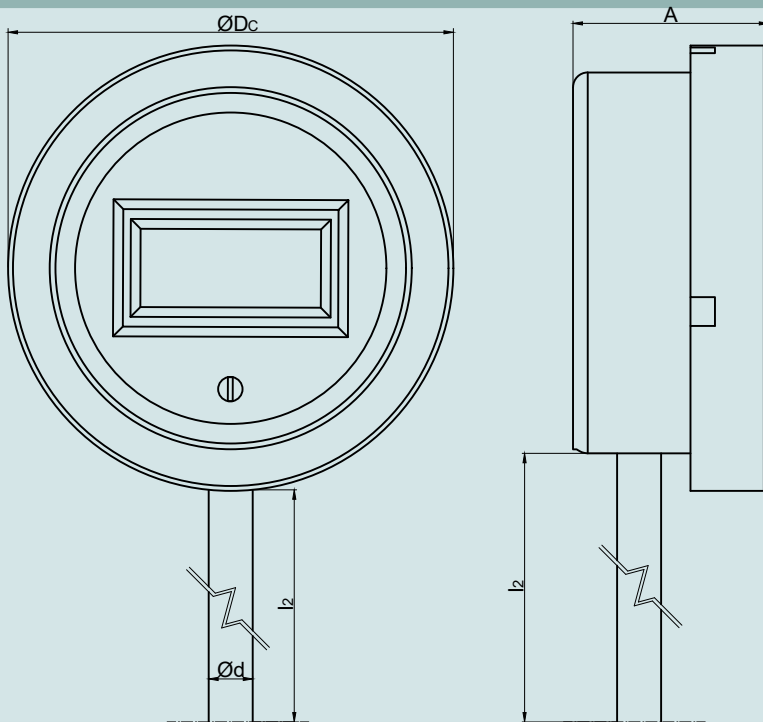
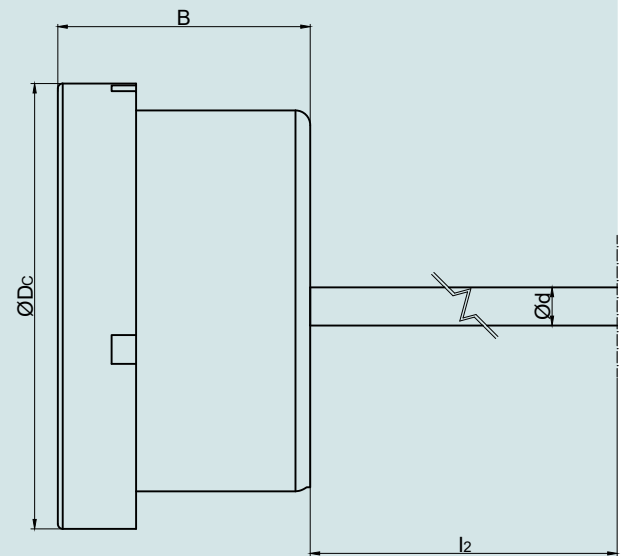


DIGITAL THERMOMETER

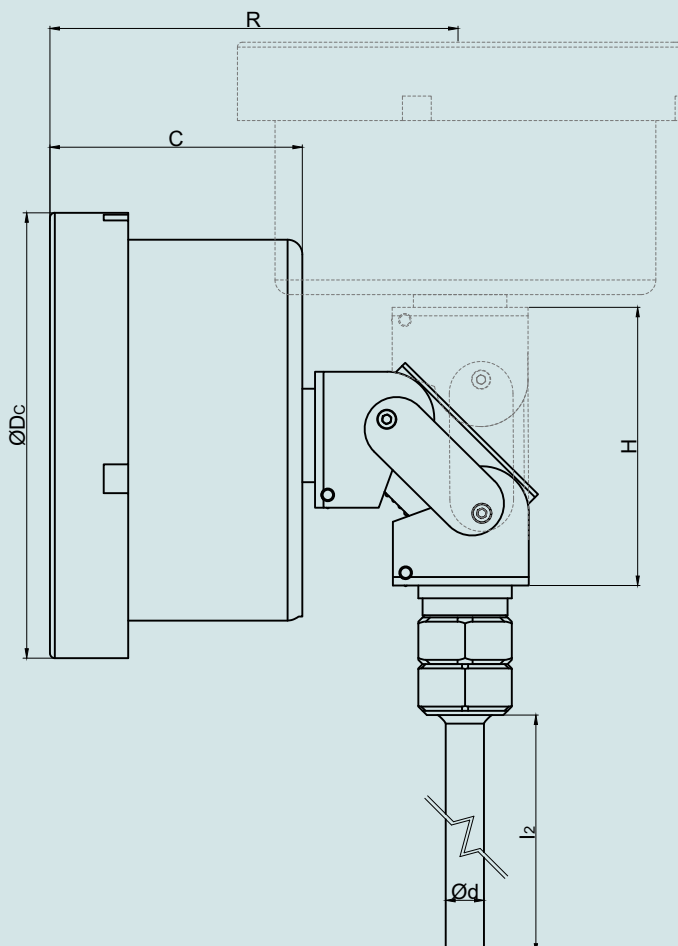
Bottom Connection



Back connection



Orientable Connection



Tipo	Dimensions in mm					
	ØD _c	A	B	C	R	H
Radial	80	40	-	-	-	-
Back	80	-	45	-	-	-
Every angle	80	-	-	45	55	60

ØD_c Case diameter

A Radial thermometer case thickness

B Back thermometer case thickness

C Every angle thermometer case thickness

H Every angle connection size = 60 mm

R Distance between case and rotation center

l₂ Thermometer stem length

Ød Thermometer stem diameter = 9 mm